

TN100.70

Lavoce

1" SOFT DOME TWEETER

NEODYMIUM MAGNET



- 0.75 INCH VOICECOIL
- 88 dB/SPL SENSITIVITY
- 15 WATT PROGRAM POWER HANDLING
- FEM OPTIMIZED MOTOR AND DIAPHRAGM
- TEXTILE DIAPHRAGM

GENERAL SPECIFICATIONS

| | | |
|--|----------|--------------|
| Nominal diameter | mm (in.) | 25,4 (1) |
| Nominal impedance | Ω | 8 |
| Minimum impedance | Ω | 6 |
| Program power (1) | W | 15 |
| AES power above 2.5 kHz (12dB/oct) (2) | W | 7,5 |
| Sensitivity (3) | dB | 88 |
| Frequency range | Hz | 1360 ÷ 30000 |
| Voice coil diameter | mm (in.) | 20 (0.75) |
| Magnet material | | Neodymium |
| Coil material | | CCA W |
| Former material | | Polyimide |
| Diaphragm and Surround material | | Textile |
| Ferrofluid | | YES |

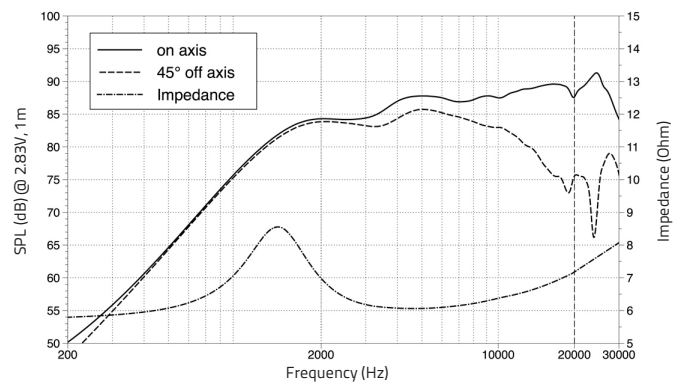
SMALL SIGNAL PARAMETERS

| | | | |
|-------------------------------|-----|-------------------------------------|-------------|
| DC resistance | Re | Ohm | 5,6 |
| Resonance frequency | Fs | Hz | 1360 |
| Moving mass | Mms | g (oz) | 0,17 (0.01) |
| Compliance | Cms | mm/N | 0,08 |
| Force factor | BxL | N/A | 1,68 |
| Mechanical Q-factor | Qms | | 1,24 |
| Electrical Q-factor | Qes | | 2,96 |
| Total Q-factor | Qts | | 0,88 |
| Voice coil inductance | Vas | l (ft ³) | 0,027 |
| Para-inductance of voice coil | Le | mH | 0,012 |
| Diaphragm area | Sd | cm ² (in. ²) | 8 (1.24) |

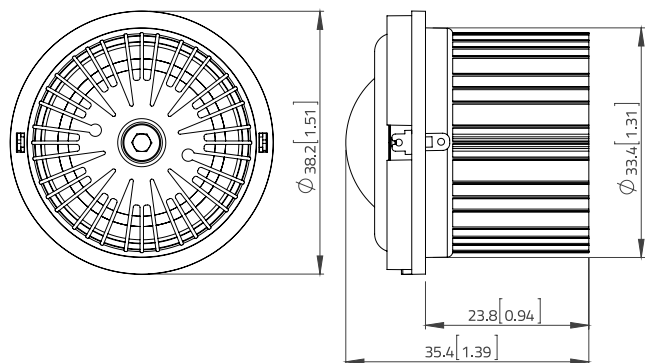
SHIPPING INFORMATION

| | | |
|----------------------|------------------------------------|---|
| Net weight | Kg (lb.) | 0,015 (0.03) |
| Multipack size (160) | mm x mm x mm (in. x in. x in.) | 320 x 320 x 265 (12.6 x 12.6 x 10.4) |
| Multipack weight | Kg (lb.) | 9 (18) |

FREQUENCY RESPONSE



DIMENSIONS mm (in.)



(1) Program power is defined as 3 dB greater than AES Power. (2) Tested with heat sink for two hours using a continuous, band-limited pink noise signal as per AES 2-1984 Rev. 2003. (3) Measured on axis at 2.83V, 1m, halfspace, average SPL in the frequency range

All specifications subject to change without notice_A.a

WWW.LAVOCESPEAKERS.COM



Lavoce Italiana

sales@lavocespeakers.com sales.cn@lavocespeakers.com