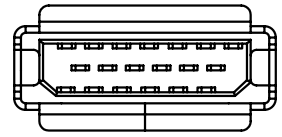
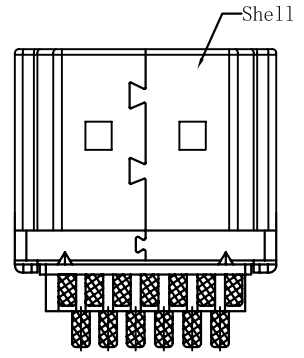
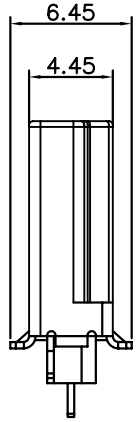
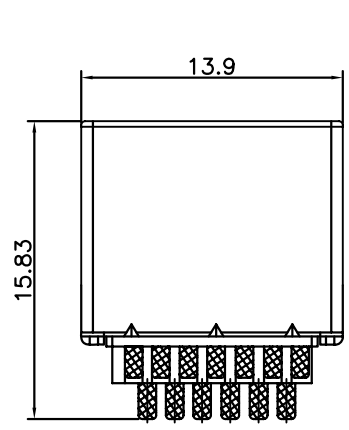
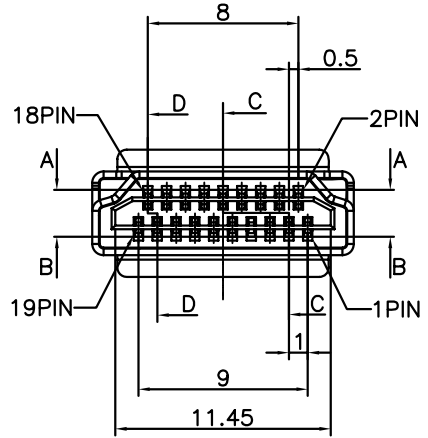


REV.	DESCRIPTION	DRAWN	CHECKED	APPROVED
A	NEW RELEASE	HP 19/07/05		



NOTES:

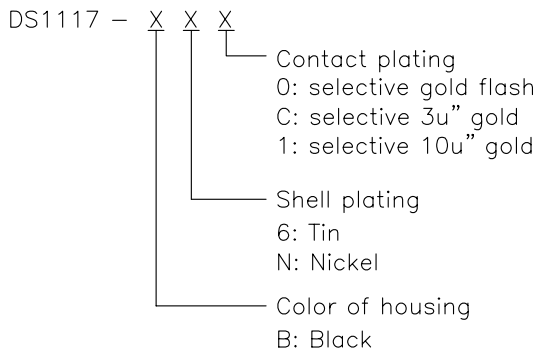
1. MATERIALS

- . Insulator: thermoplastic, UL 94V-0 Rated
- . Contacts: Copper Alloy
- . Shell: Copper Alloy

2. SPECIFICATION

- . Contact resistance: 50mΩ max.
- . Insulation resistance: 100MΩ min.
- . Dielectric withstanding voltage: 100 VAC 1 minute.
- . Temperature range: -20°C to +70°C.

3. PRODUCT NUMBER CODE:



GENERAL TOLERANCE		ANGLE TOLERANCE		PROJECTION		TITLE	HDMI 19PIN MALE Solder type	
X.	±0.60	X.	±5°	UNITS	mm	SERIES	DS1117	
.X	±0.38	.X	±3°	SHEET SIZE	A4	HDMI-M19 1117		
.XX	±0.25	.XX	±2°					
DRAWING TYPE		CUSTOMER						
SCALE		1:1	SHEET	1 OF 1				
DRAWING NO.		C-DS1117-XXX						